

- Notes:
1. Hole Diameter Ø250
 2. Suitable for ED100/150/200 duct reducer
 3. Material = Fiberglass
 4. Material Thickness = 3±1.5

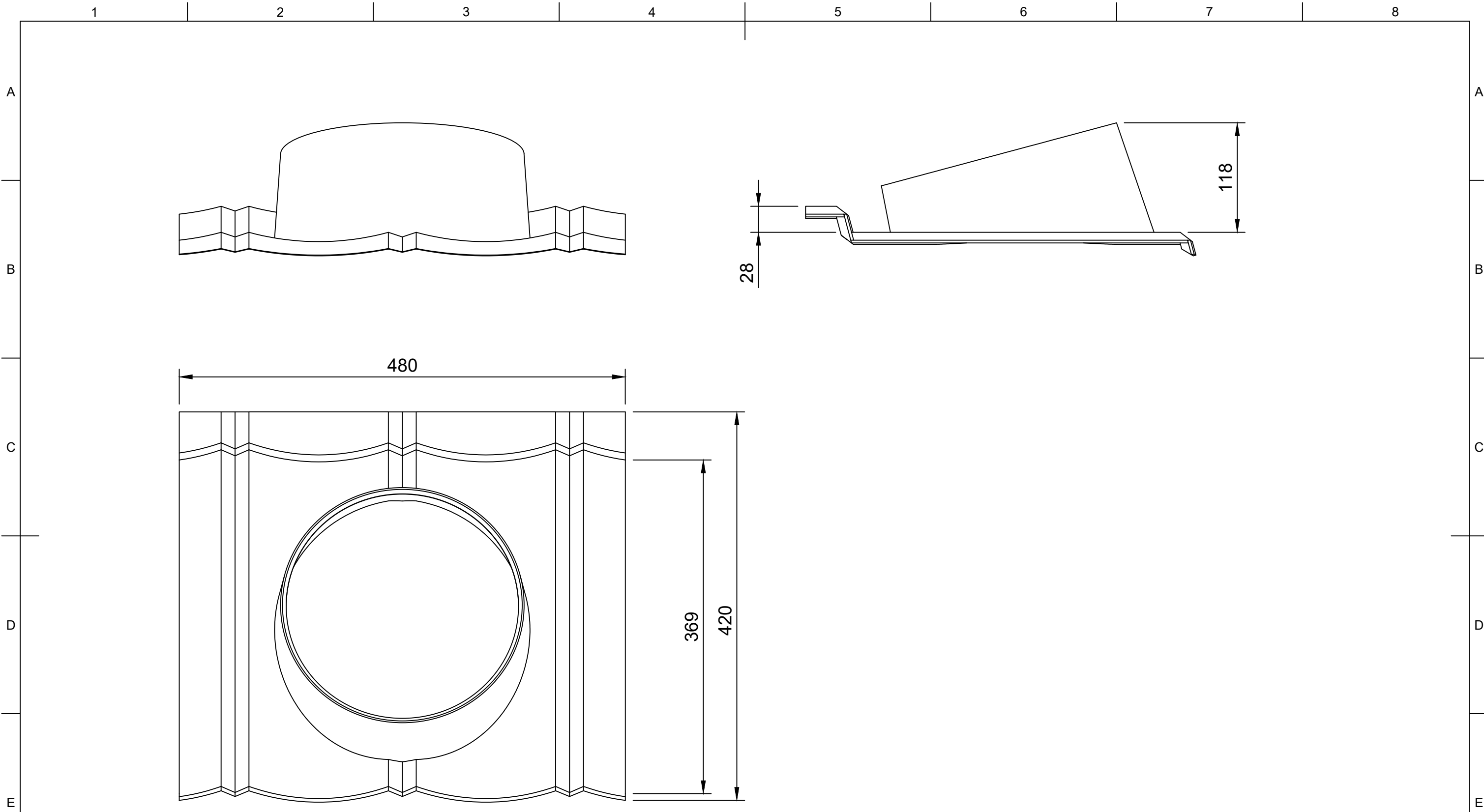
SCALE 1:4



254MD_Colortile

Roof flashing for Gerard Colortile Metal Tile Roofing. Suitable for Solatube 160DS and RHR passive extract.

Drawn By		Date	
Approval		Date	
DWG No.		REV.	
		Sheet	1/2



SCALE 1:4



254MD_Colortile

Roof flashing for Gerard Colortile Metal Tile Roofing. Suitable for Solatube 160DS and RHR passive extract.

Drawn By		Date	
Approval		Date	
DWG No.		REV.	
		Sheet	2/2