

Roofing Profile

Notes:

1. Hole Diameter $\text{Ø}250$
2. Suitable for ED100/150/200 duct reducer
3. Material = Polypropylene
4. Wall thickness = 3mm unless otherwise specified

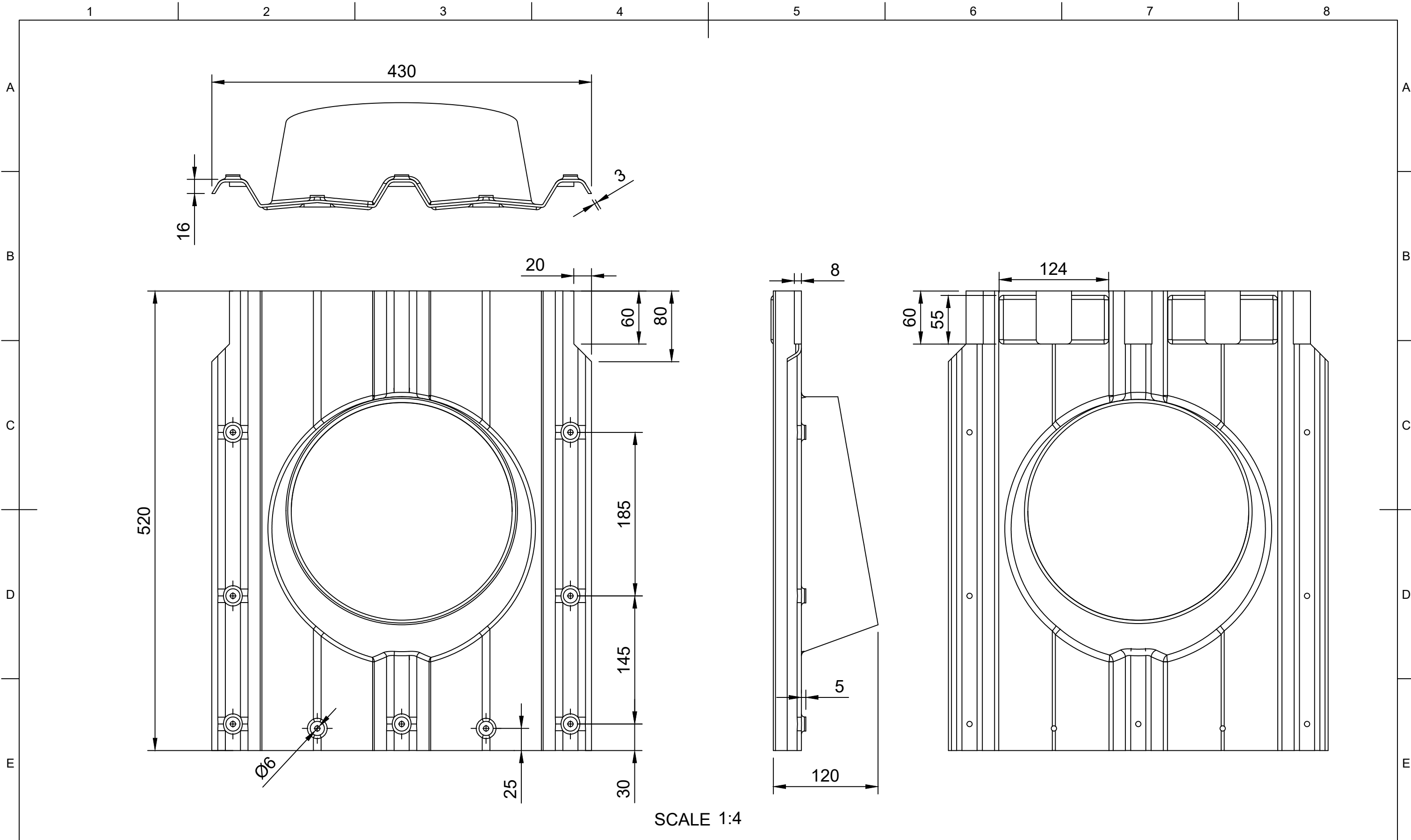
SCALE 1:4



254MT_Trimdek

Roof flashing for Lysaght Trimdek roofing profile. Suitable for Solatube 160DS and RHR passive extract

Drawn By		Date	
Approval		Date	
DWG No.		REV.	
		Sheet	1/2



254MT_Trimdek

Roof flashing for Lysaght Trimdek roofing profile. Suitable for Solatube 160DS and RHR passive extract

Drawn By		Date	
Approval		Date	
DWG No.		REV.	
		Sheet	2/2