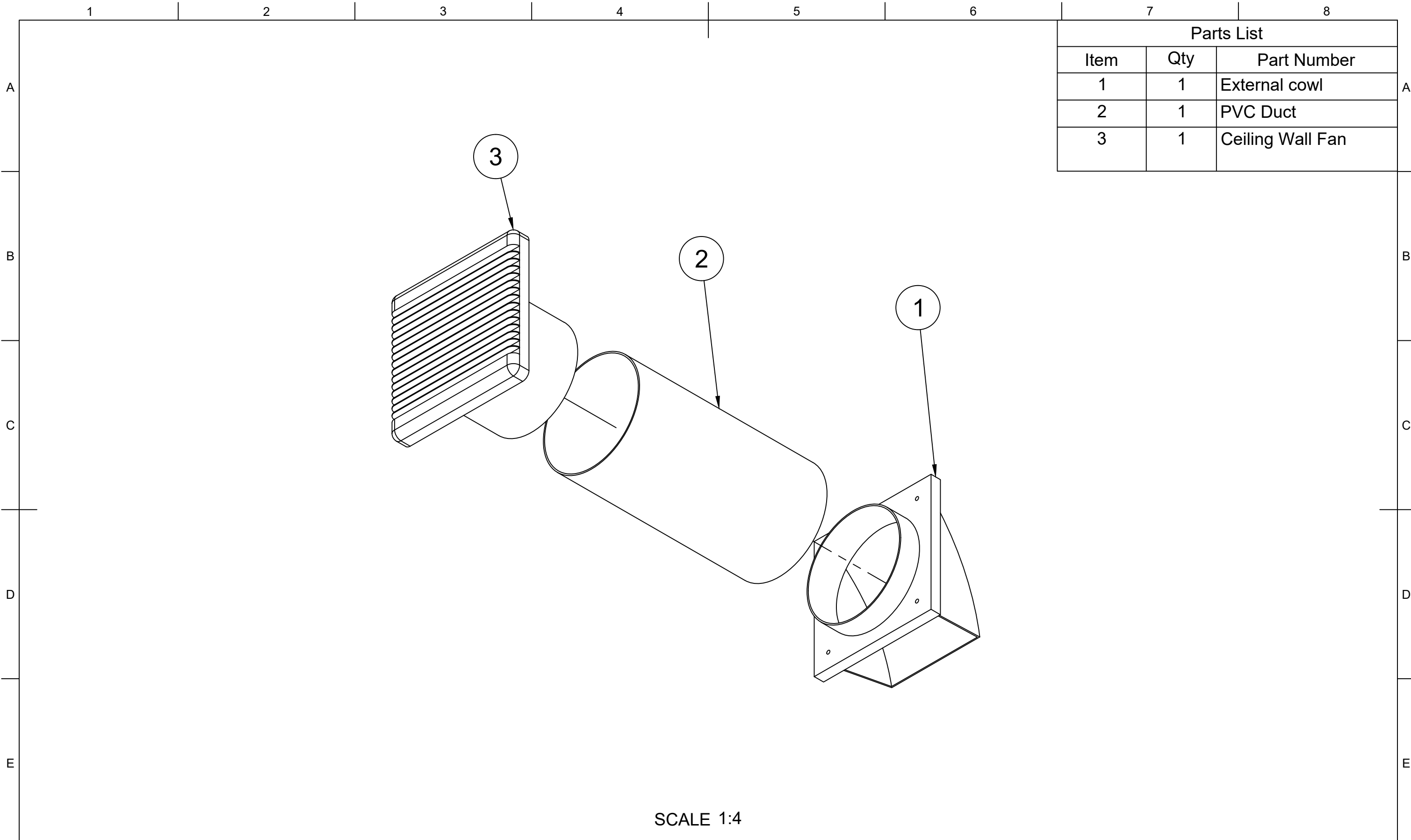


ThroughWall_Extract		Drawn By		Date	
		Approval		Date	
DWG No.		REV.		Sheet	1/2



Parts List		
Item	Qty	Part Number
1	1	External cowl
2	1	PVC Duct
3	1	Ceiling Wall Fan

SCALE 1:4



ThroughWall_Extract

Drawn By		Date	
----------	--	------	--

Approval		Date	
----------	--	------	--

DWG No.		REV.		Sheet	2/2
---------	--	------	--	-------	-----