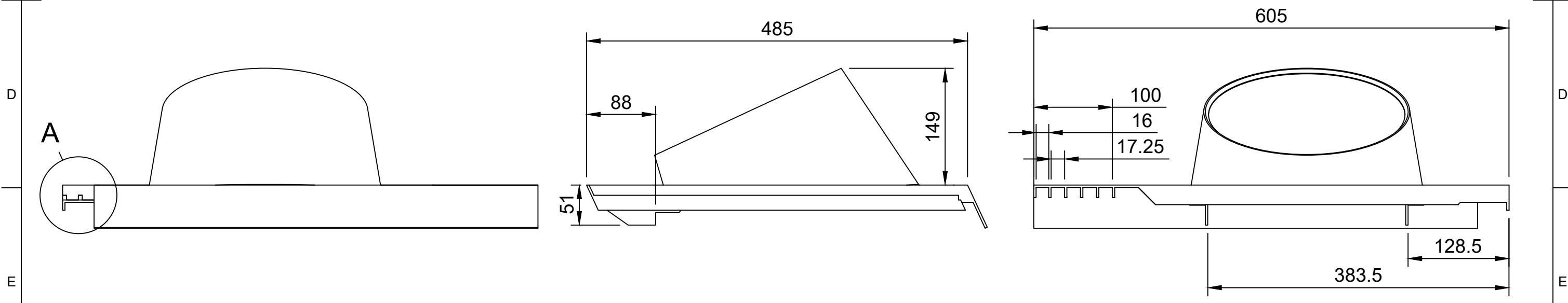
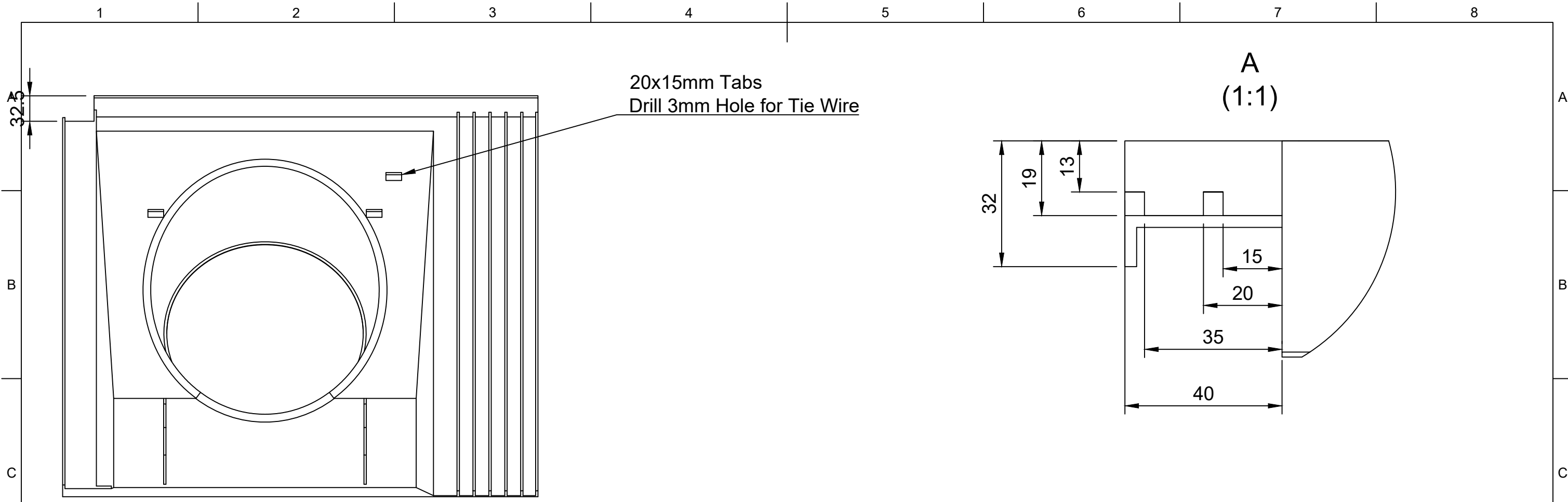


- Notes:
1. Hole Diameter Ø250
 2. Suitable for ED100/150/200 duct reducer
 3. Material = Polypropylene
 4. Wall thickness = 3mm unless otherwise specified

SCALE 1:5

	250TC		Drawn By		Date			
	Roof flashing for Monier concrete roof profile. Suitable for Solatube 160DS and RHR passive extract.				Approval		Date	
	DWG No.		REV.		Sheet	1/2		



SCALE 1:5

	250TC		Drawn By		Date			
	Roof flashing for Monier concrete roof profile. Suitable for Solatube 160DS and RHR passive extract.				Approval		Date	
	DWG No.		REV.		Sheet	2/2		