



PRODUCT DESCRIPTION

Roof mounted fan system with proprietary flashing and vent cap on the roof line to provide wet room extract ventilation. It comes with Lorient LVH44C fire damper.

KEY BENEFITS

- Efficient Operation: Roof penetrations often offer the path of least resistance for ducting which in turn leads to more efficient performance from fans.
- Quieter performance: Remote mounted fans mean the noise and vibration is further away from the occupant, not at the perimeter of the space.
- Peace of mind: backed up by a 10-year leak proof guarantee.
- HTBKTRFC comes with a Lorient fire damper LVH44C Ceiling Module 3

APPLICATIONS

*This system is suitable for, but not limited to the following areas:

- Single level / top floor installations.
- Bathrooms, toilets, internal laundries.

PRODUCT COMPLIANCE

- G4: Extract air volume exceeds 25l/s for bathrooms and/or 40l/s for laundries.
- Healthy Homes: Bathroom Ventilation
- B2, E2
- BRANZ appraisal 665 (2017) for Roof Penetration
- Lorient LVH44C needs AS/NZS 1530.4: 2014

ELECTRICAL

- Electrical connection excluded.
- All fans to be connected to an isolating switch as per AS/NZS 3000:2018.

WARRANTY

- 10 Year LEAK PROOF GUARANTEE
- 10 Years for materials and workmanship
- 2 Years for fan motor

Terms and conditions apply.

SPECIFICATIONS

| | |
|--------------------|--|
| Air Flow: | 45l/s |
| Diameter: | 150dia |
| Duct Run: | Up to 3m |
| Noise : | 45dB @ 0.5m |
| Install Location: | Wet rooms |
| Minimum Clearance: | 250mm, options for skillion ceilings |
| Rooms Served: | One |
| Ventilation Type: | Intermittent Extract |
| Filter: | NA |
| Control: | Wall Switch, Single Speed |
| Power: | 35W |
| Add-ons: | <ul style="list-style-type: none"> • Timer • Humidity Sensor |

EXPANSIONS / ALTERNATIVES

- HTBKTR : For standard through roof applications
- HTBKTRIL : Alternative using inline fapn
- HTBKTRSK : Alternative for use in no cavity/skillion ceiling applications

LIMITATIONS

- Where a sloping or skillion ceiling exist - Hometech to be engaged prior to ceiling lining.
- For all other ceiling types a minimum of 250mm between ceiling and roof line is required.
- Sufficient replacement air is required for extract efficiency. Replacement air can be achieved through opening a window or undercut to a door of 10mm minimum.

INSTALLATION

To be carried out by Hometech to manufacturer's recommendations:

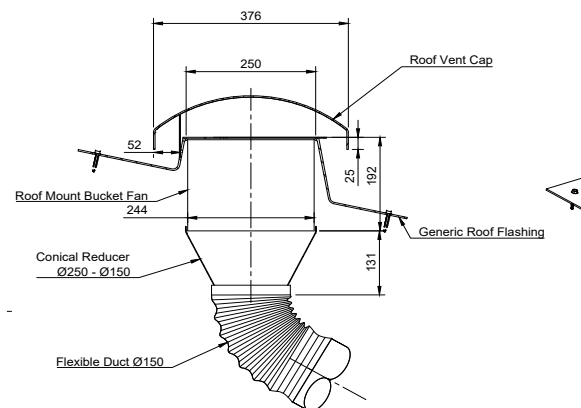
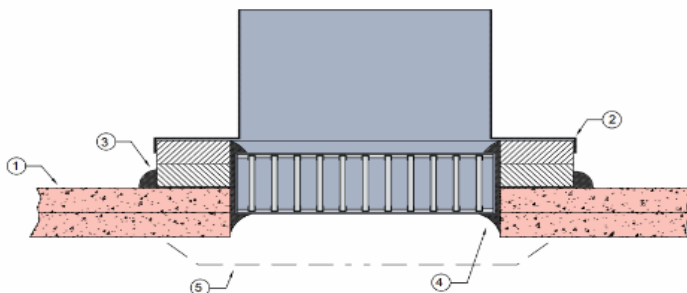
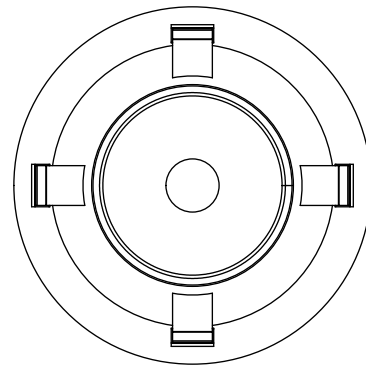
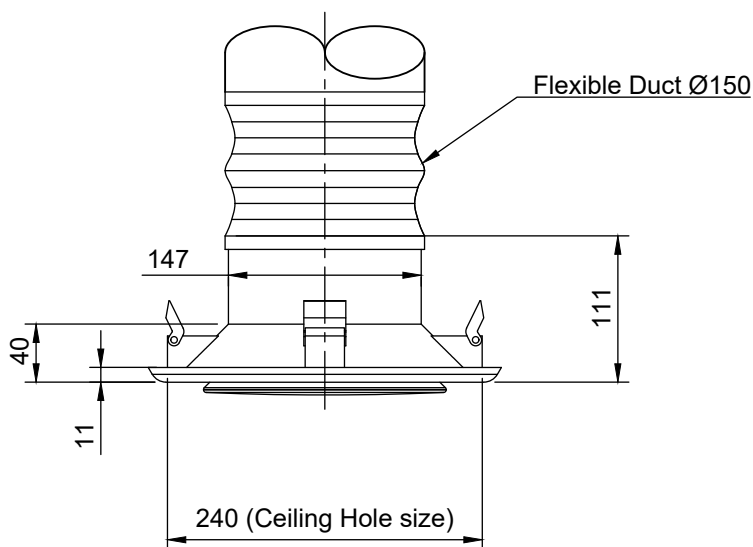
- Roof mounted system installed with proprietary Hometech roof flashing (BRANZ Appraisal 665) and vent cap.
- Ceiling diffuser to be located as close to outside edge of shower enclosure where applicable. For shower over bath diffuser to be as close to centre of bath.
- Fire protection available that is compliant to AS/NZS 15304.4:2014.
- Roof work to be carried out safely, where possible use of scaffolding or mobile work platforms recommended.
- Installation of Fire Damper LVH44C to be done as per Lorient's installation instructions.

MAINTENANCE

- At regular intervals following installation, the fan should be inspected and cleaned to ensure there is no build-up of dirt or other deposits. It is recommended this is done as part of a scheduled yearly maintenance program.
- The face can be cleaned without removal by wiping the inlets and front face with a damp cloth.
- If any problems arise, please contact your installation professional.

CAD DRAWING

Full CAD drawing(s) available upon request



Lorient LVH44C fire damper - Refer to Lorient for install instructions in accordance with AS/NZS 1530.4: 2014