

Roofing Profile

- Notes:
1. Hole Diameter  $\text{Ø}250$
  2. Suitable for ED100/150/200 duct reducer
  3. Material = Fiberglass
  4. Material Thickness =  $3\pm 1.5$

SCALE 1:4



254G\_Tuffcoat

Roof flashing for Gerard Tuffcoat Metal Tile Roofing. Suitable for Solatube 160DS and RHR passive extract.

Drawn By

Date

Approval

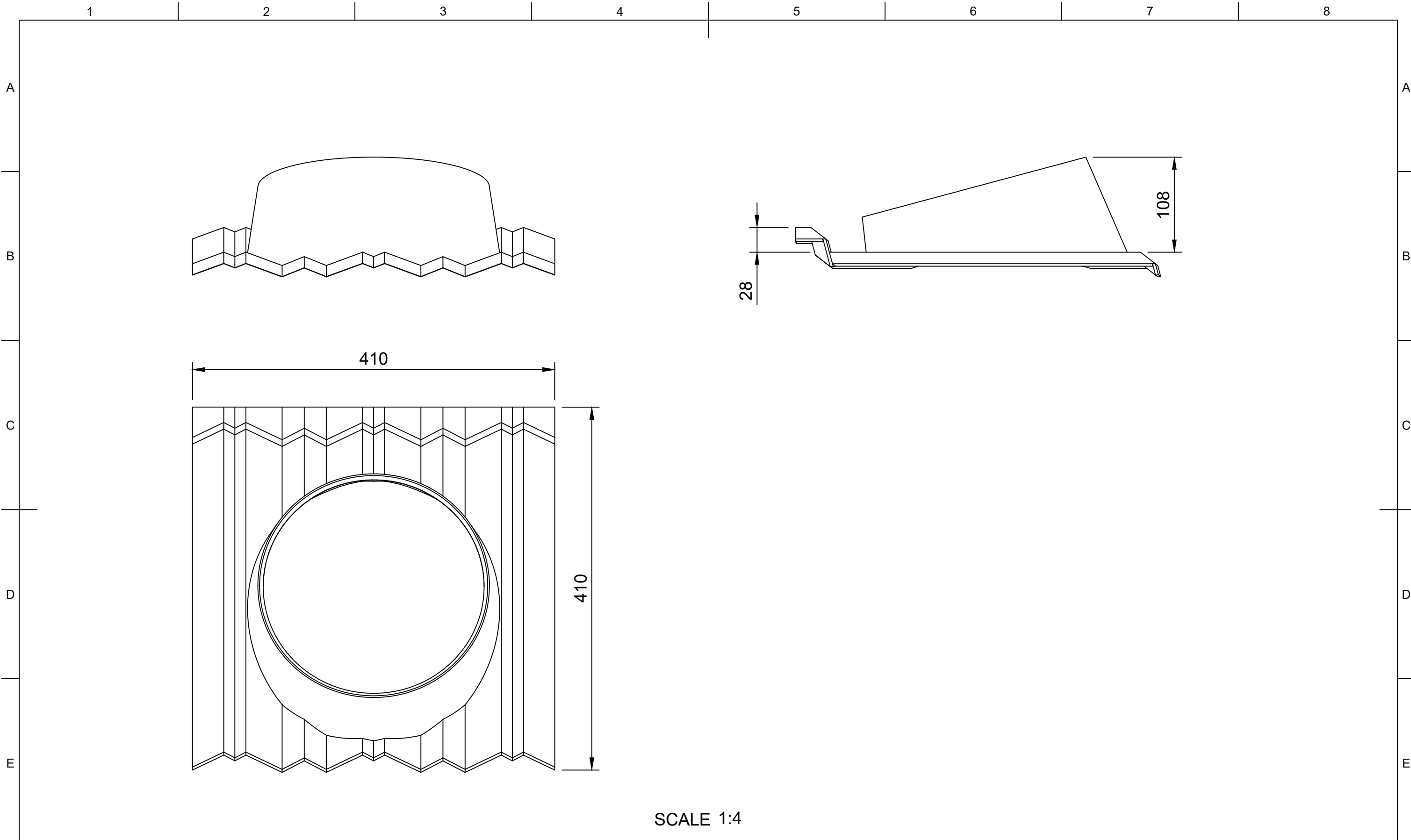
Date

DWG No.

REV.

Sheet

1/2



254G\_Tuffcoat

Roof flashing for Gerard Tuffcoat Metal Tile Roofing. Suitable for Solatube 160DS and RHR passive extract.

Drawn By

Date

Approval

Date

DWG No.

REV.

Sheet

2/2