

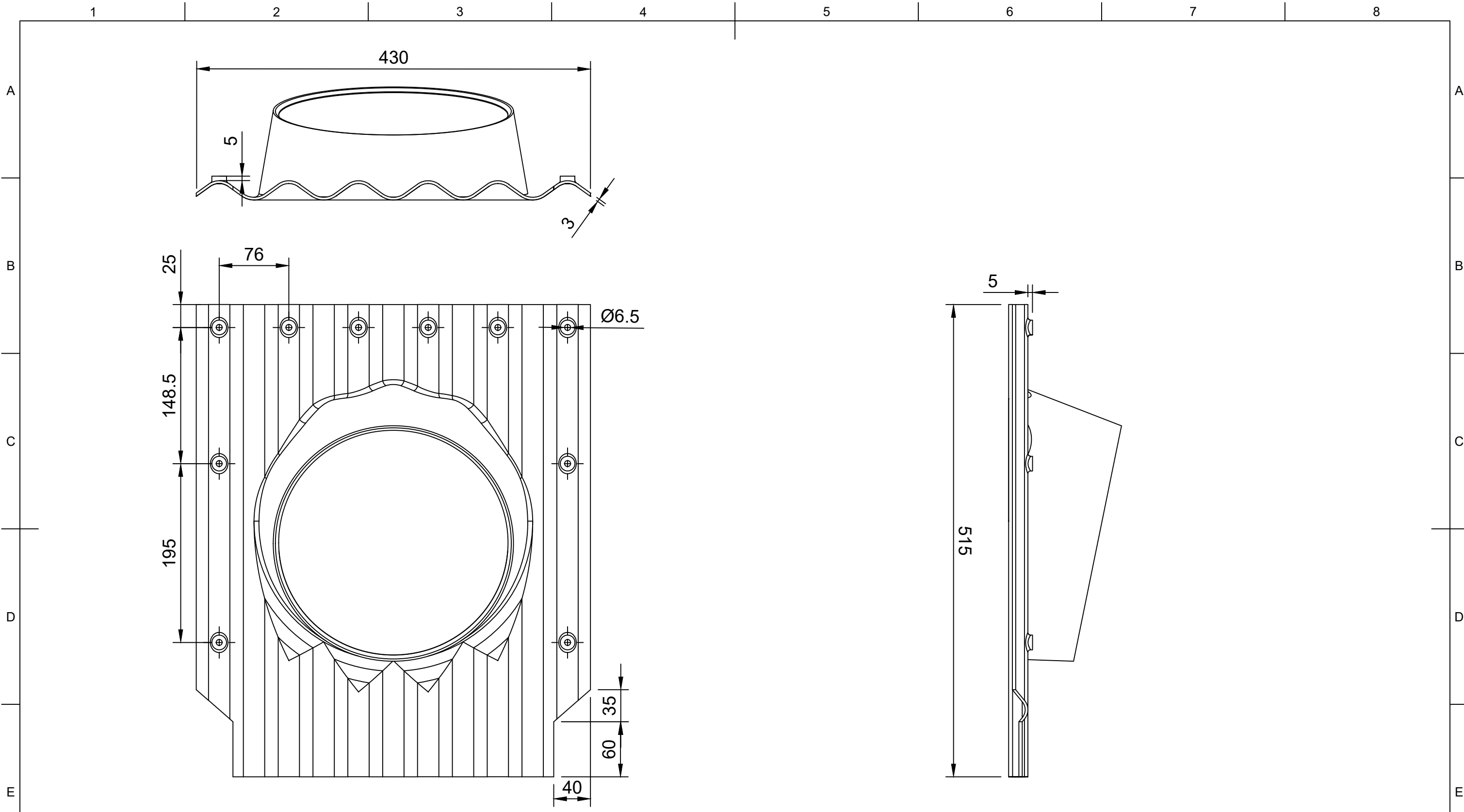
- Notes:
1. Hole Diameter Ø250
 2. Suitable for ED100/150/200 duct reducer
 3. Material = Polypropylene
 4. Wall thickness = 3mm unless otherwise specified

SCALE 1:4



254MC_Corrugated
 Roof flashing for corrugated roof profile. Suitable for Solatube 160DS and RHR passive extract.

Drawn By		Date	
Approval		Date	
DWG No.		REV.	
		Sheet	1/2



SCALE 1:4



254MC_Corrugated

Roof flashing for corrugated roof profile. Suitable for Solatube 160DS and RHR passive extract.

Drawn By		Date	
Approval		Date	
DWG No.		REV.	
		Sheet	2/2