

RoofVent\_RoofFan\_200

Drawn By

Date

Approval

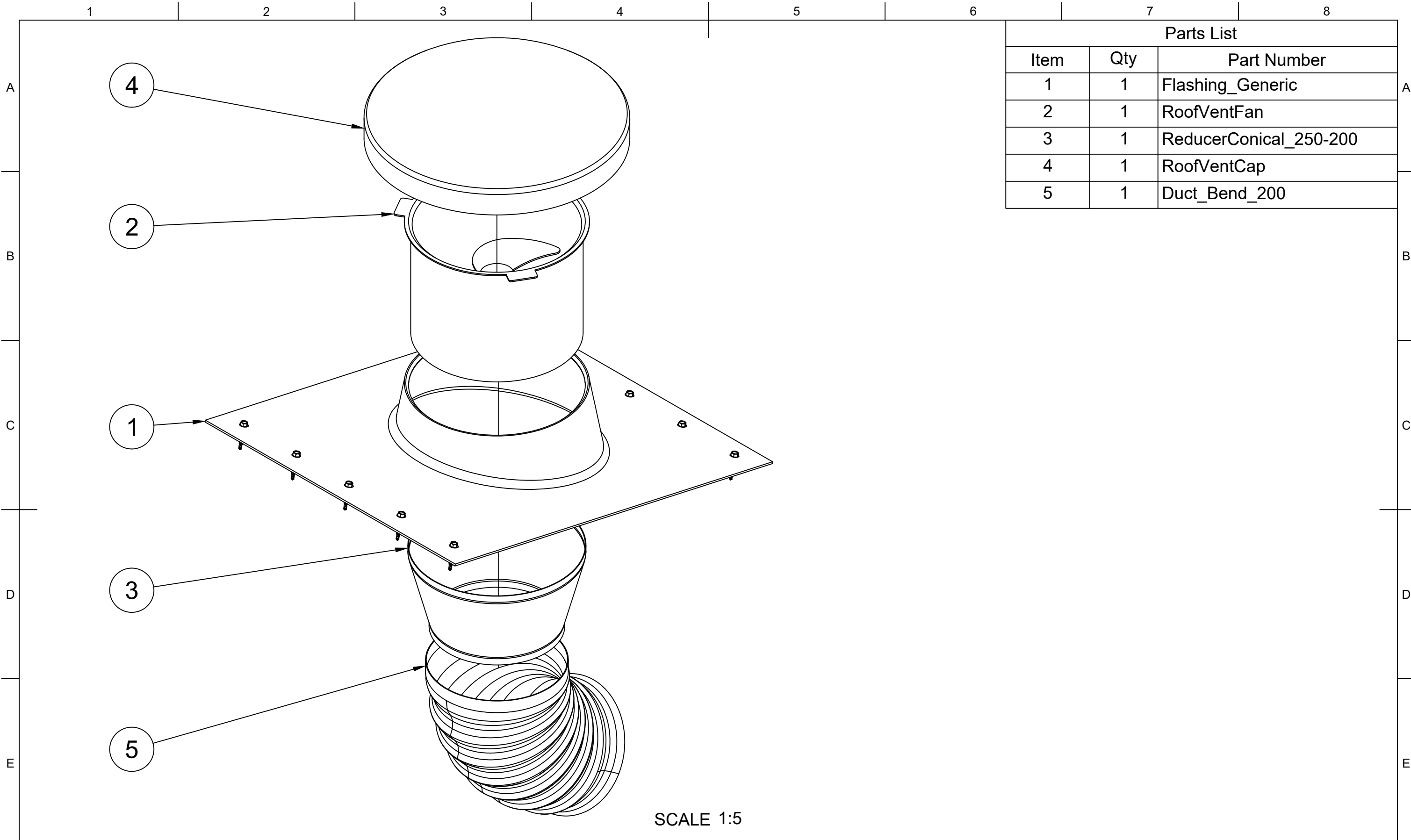
Date

DWG No.

REV.


Sheet

1/2



Parts List		
Item	Qty	Part Number
1	1	Flashing_Generic
2	1	RoofVentFan
3	1	ReducerConical_250-200
4	1	RoofVentCap
5	1	Duct_Bend_200

SCALE 1:5

	RoofVent_RoofFan_200		Drawn By		Date	
			Approval		Date	
	DWG No.		REV.		Sheet	2/2